

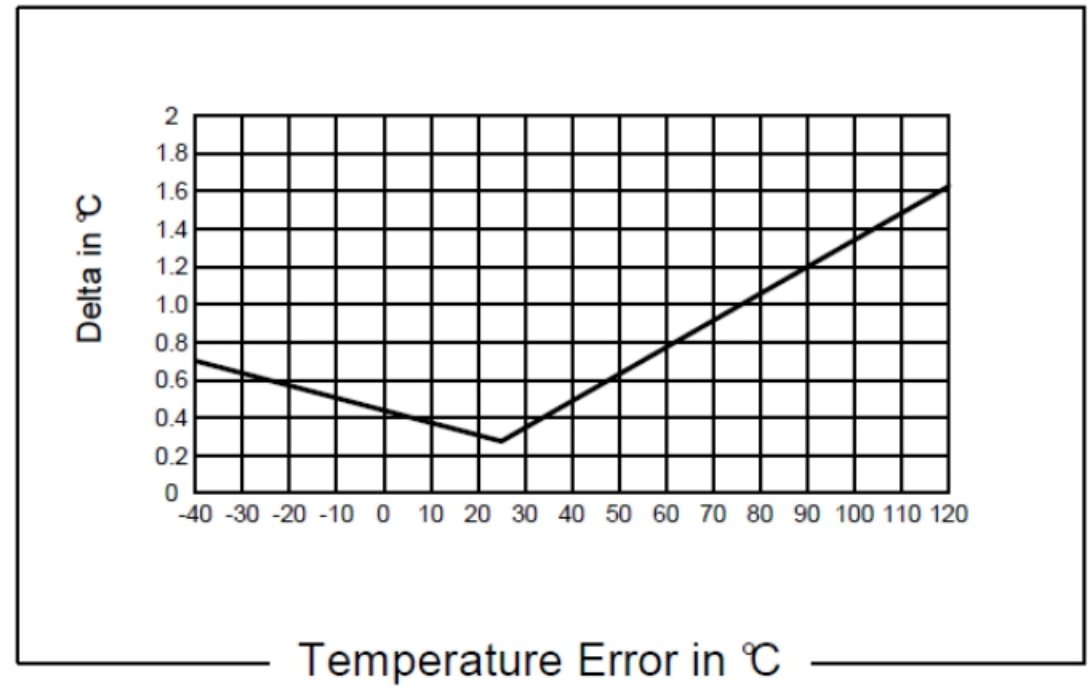
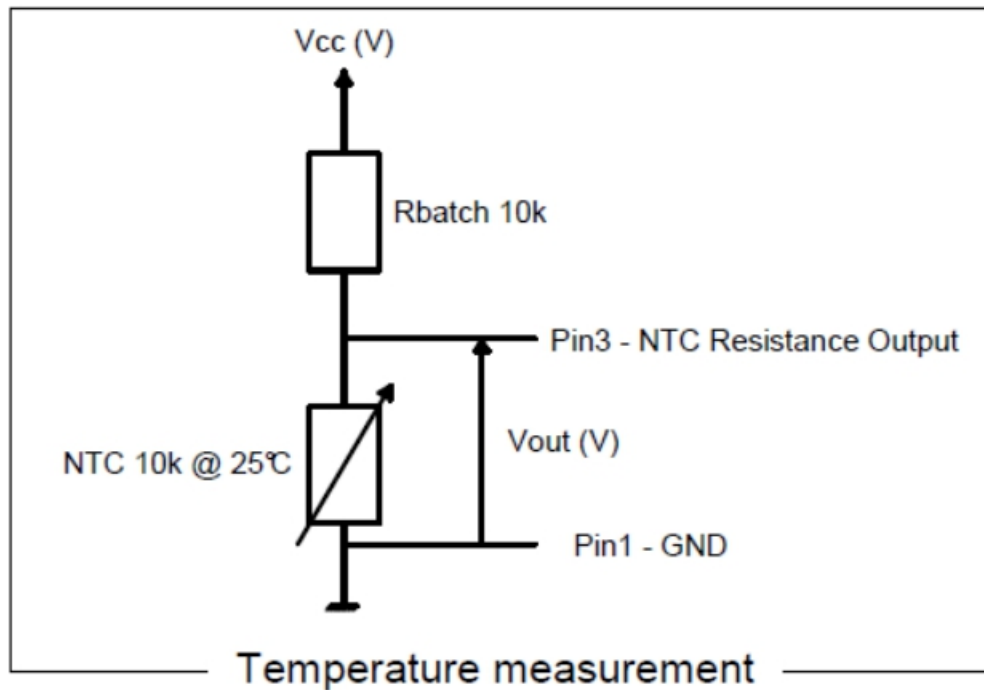
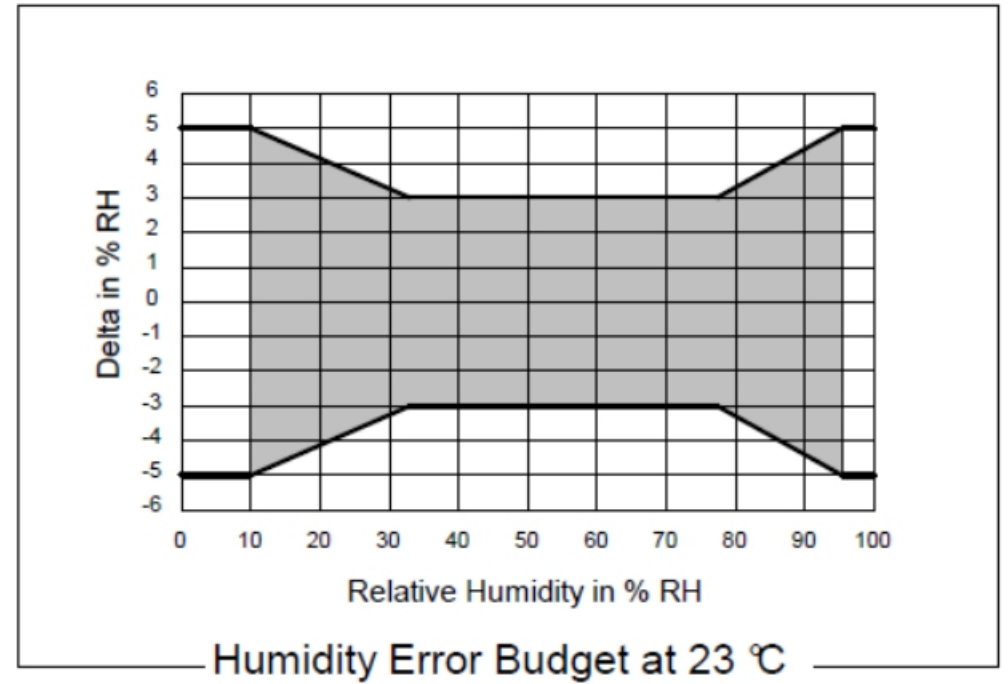
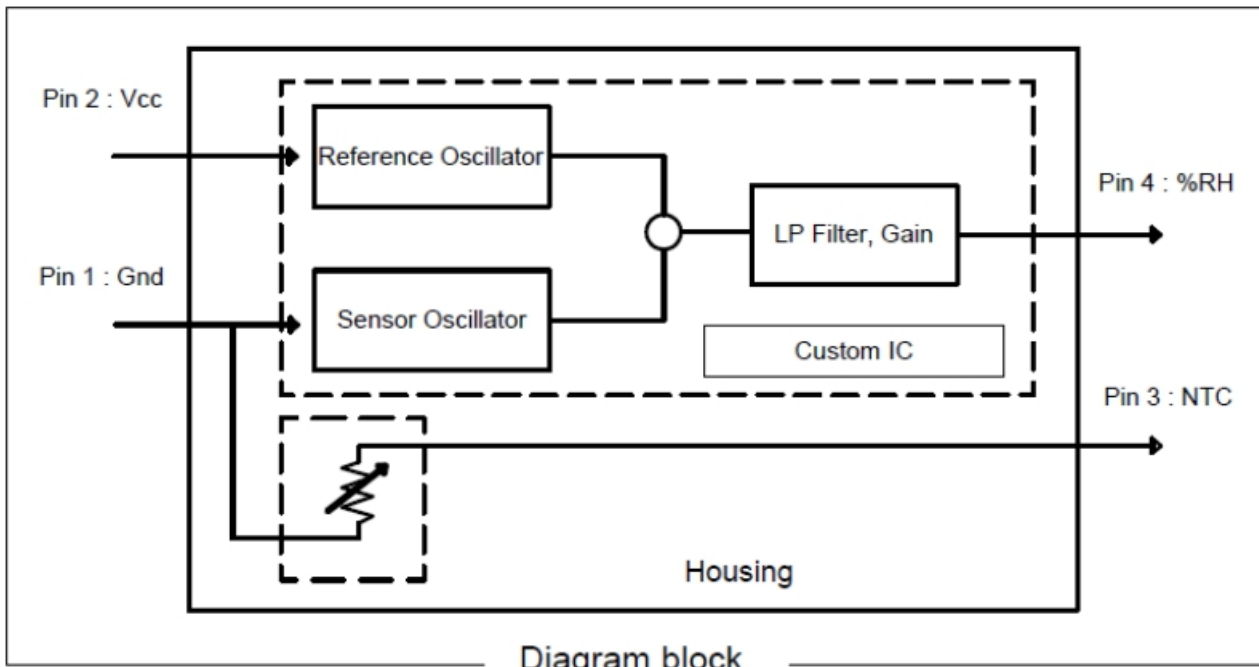
# **HTG3535**

## **Temp & Humidity Sensor**

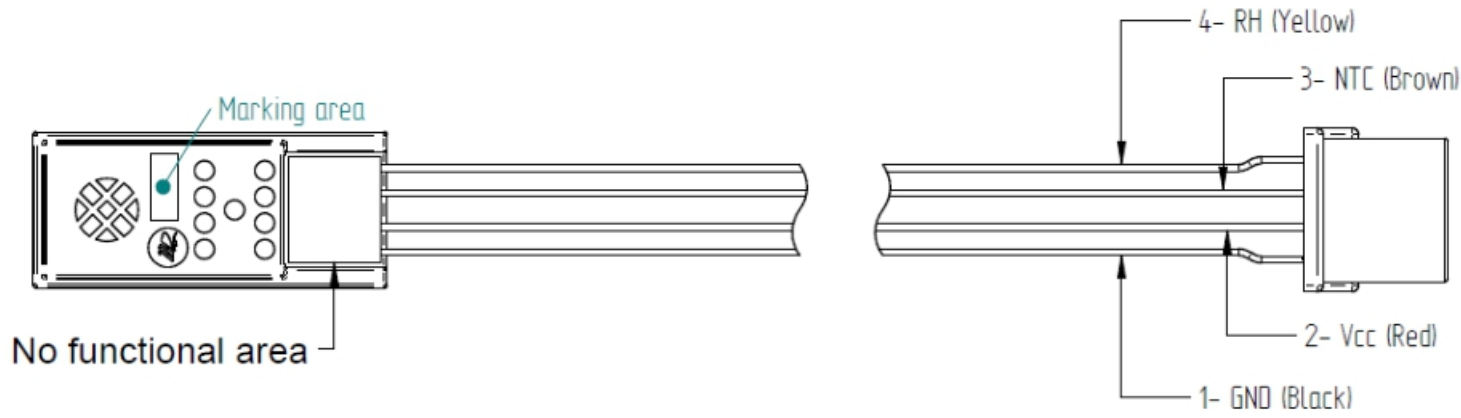
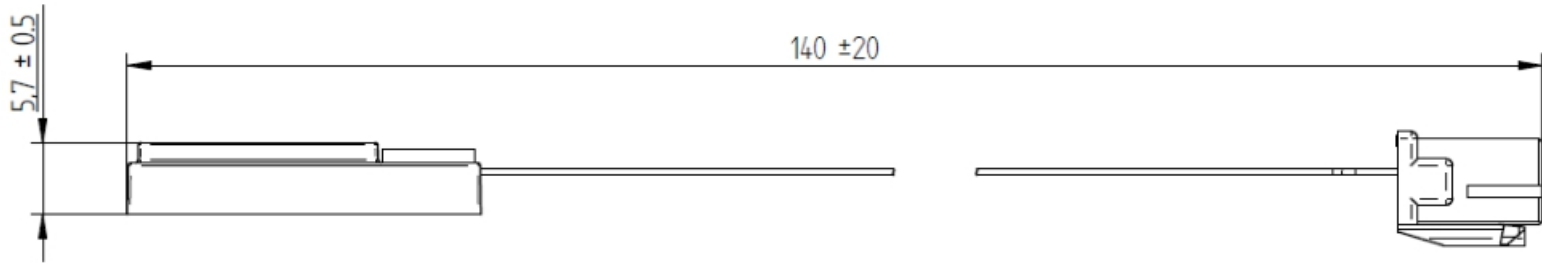
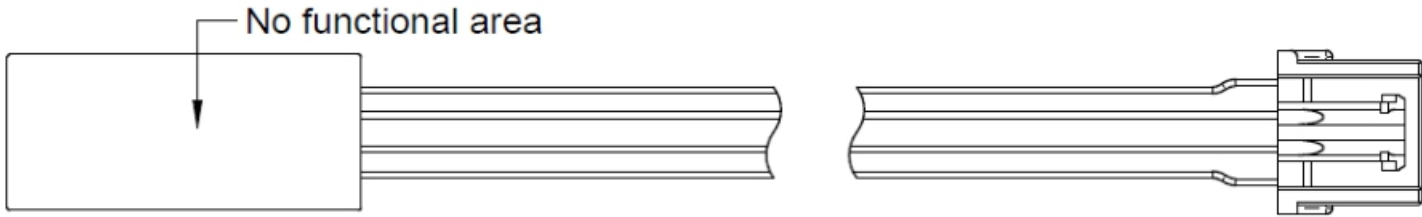
Characteristics of Humidity Sensor	Connection	Value
Voltage supply	1 & 2	5,00 VDC +/- 0,25 VDC
Current consumption	1 & 2	Max. 3 mA
Humidity operating range		0% RH to 100% RH
Temperature operating range		-40°C to 110°C
Output voltage range (humidity)	1 & 4	See voltage output reference table
Output impedance	1 & 4	50 Ohms
Isolation resistance	All pins & case	1 Mohm at 500 V
Time constant : (33 to 76 %RH)		Typical 5s.

Characteristics of Temperature Sensor	Connection	Value
Temperature operating range		-40°C to 110°C
Resistance at 25°C	1 & 3	10kOhms ±1%
Constant B		B(25/50) = 3380 K ±1%
Maximum power at 25°C		10mW

Maximum Ratings of Humidity & Temperature System	Connection	Value
Operating Temperature range		-40°C to 110°C



**HUMIDITY SENSOR**



Humidity Voltage Output (mV) "zero life"			
RH %	Minimum	Nominal	Maximum
10	1080	1235	1390
15	1250	1390	1530
20	1416	1540	1664
25	1577	1685	1793
30	1732	1825	1919
35	1881	1960	2040
40	2012	2090	2168
45	2142	2220	2298
50	2272	2350	2428
55	2404	2480	2557
60	2530	2605	2680
65	2654	2730	2807
70	2782	2860	2938
75	2911	2990	3070
80	3031	3125	3220
85	3150	3260	3370
90	3279	3400	3522
95	3400	3530	3660

Temperature Resistor Output (Ohm) "zero life"			
°C	Minimum	Nominal	Maximum
-40	188020	195652	203573
-30	109522	113347	117294
-20	66269	68237	70255
-10	41477	42506	43557
0	26678	27219	27768
10	17643	17926	18211
20	11937	12081	12224
25	9900	10000	10100
30	8216	8315	8413
40	5744	5834	5924
50	4083	4161	4240
60	2949	3014	3081
70	2172	2228	2284
80	1623	1669	1716
90	1230	1268	1307
100	942	974	1007
110	731	758	786